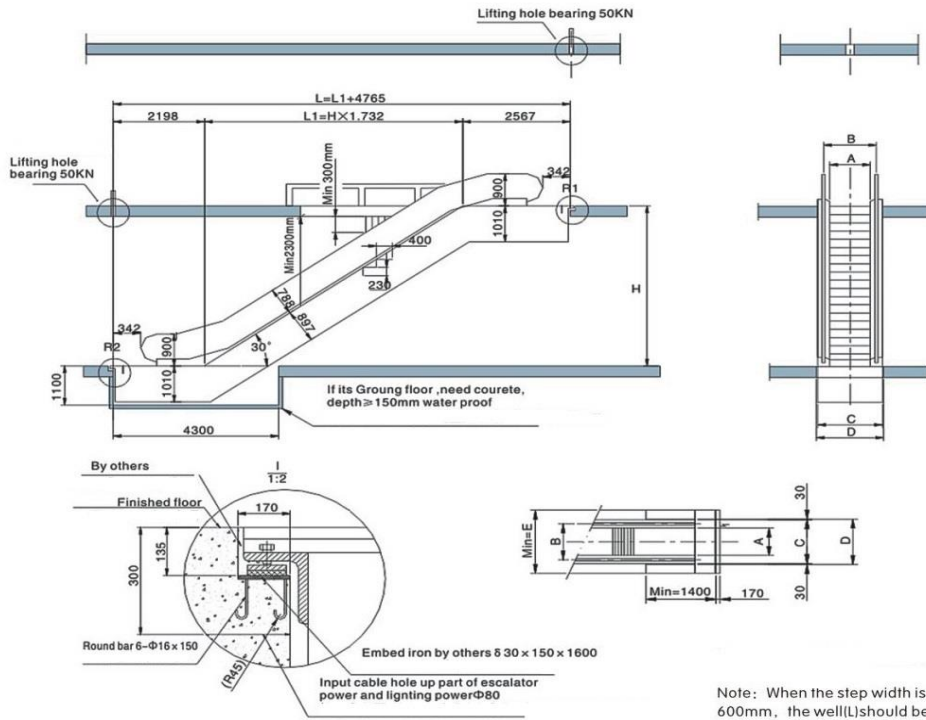


30° (TROMP ESCALATORS)



Note: When the step width is 600mm, the well(L) should be lengthened for 417mm.

| Model No. | TMP 30-600 4500p/hour Static Load | | | | TMP 30-800 6750p/hour Static Load | | | | TMP 30-1000 9000p/hour Static Load | | | |
|-----------|---|----|----|-------|---|----|----|-------|--|----|----|-------|
| | N.W. | R1 | R2 | Power | N.W. | R1 | R2 | Power | N.W. | R1 | R2 | Power |
| 3000 | 57 | 46 | 41 | 5,5 | 59 | 52 | 47 | 5,5 | 60 | 56 | 50 | 5,5 |
| 3500 | 60 | 49 | 44 | 5,5 | 63 | 56 | 50 | 5,5 | 64 | 60 | 53 | 8 |
| 4000 | 64 | 52 | 47 | 5,5 | 67 | 60 | 54 | 5,5 | 67 | 64 | 57 | 8 |
| 4500 | 68 | 56 | 50 | 5,5 | 71 | 64 | 57 | 8 | 71 | 67 | 60 | 8 |
| 5000 | 71 | 59 | 53 | 8 | 74 | 68 | 60 | 8 | 74 | 71 | 64 | 11 |
| 5500 | 75 | 62 | 56 | 8 | 82 | 74 | 66 | 11 | 82 | 77 | 69 | 11 |
| 6000 | 79 | 65 | 59 | 11 | 86 | 78 | 69 | 11 | 85 | 81 | 72 | 11 |

| Model No. | A | B | C | D | E |
|-------------|------|------|------|------|------|
| TMP 30-600 | 600 | 837 | 1200 | 1260 | 1837 |
| TMP 30-800 | 800 | 1037 | 1400 | 1460 | 2037 |
| TMP 30-1000 | 1000 | 1237 | 1600 | 1660 | 2237 |

